

## 1330FC

### Thermal Expansion Relief Valve

This is a pressure relief valve that is installed downstream of a pressure reducing valve and is located in the distribution piping in a fire protection system. If the pressure in the distribution piping rises above the relief valve's set point, the 1330FC opens and relieves the excess pressure, thus preventing damage.



\*General representation

### CERTIFICATION & COMPLIANCE

- UL Listed - Control Number 39TZ



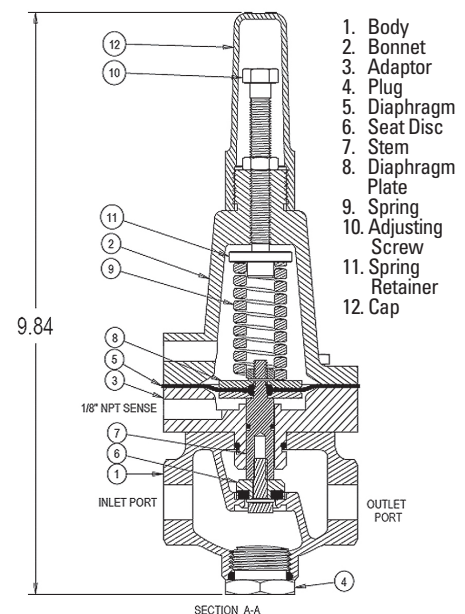
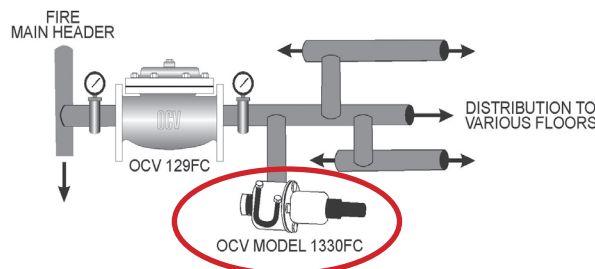
### FEATURES & BENEFITS

- Normally closed, increasing inlet pressure opens valve
- UL listed spring range of 20-175 psi
- Local sense line (self contained sense loop)
- Simple adjustment
- All parts replaceable while valve is installed
- Rubber to metal seat for positive shutoff
- Can be installed vertically or horizontally
- Sizes 1/2", 3/4", 1"
- Applicable for water, seawater & foam

### TECHNICAL DATA

MATERIAL	PART NUMBER	INLET/OUTLET (NPT)	
Stainless Steel, Buna-N	230838	1/2"	
Stainless Steel, Buna-N	230842	3/4"	
Stainless Steel, Buna-N	230843	1"	
SPRING RANGES			
PART NUMBER	COLOR	RANGE PSI	RANGE kPa
651701*	Green	5-30	35-210
651703*	Red (1-1/4" long)	20-80	140-560
651000	Red (2" long)	20-200	138-1379
651702*	Blue	100-300	700-2100

\*Non-UL Listed Spring



OCV companies worldwide reserve the right to make changes without notice including product specification and configuration, content, description(s), dimensions etc. The information herein is subject to change without notice. OCV shall not be held liable for any errors. All rights reserved. © Copyright by OCV.

7400 East 42nd Place • Tulsa, Oklahoma 74145 • USA  
Phone: 1-918-627-1942 • Toll Free: 1-888-OCV-VALV (628-8258) • Email: sales@controlvalves.com